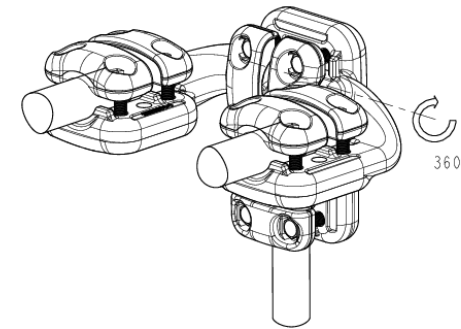
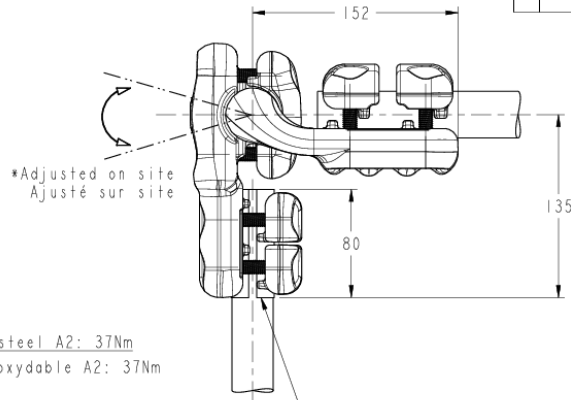
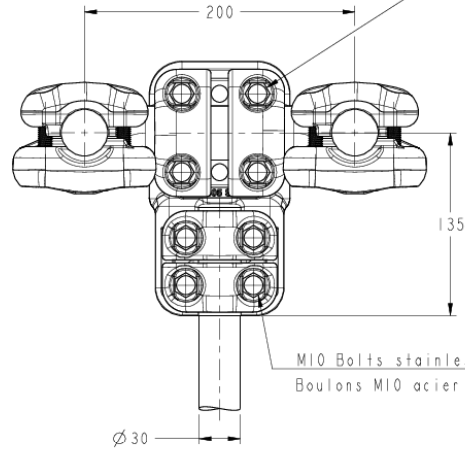


P	LTR	DESCRIPTION	DATE	DWN	APVD
A		CREATION	10APR2023	SR	CG

*M10 Bolts stainless steel A2: 37Nm
Boulons M10 acier inoxydable A2: 37Nm

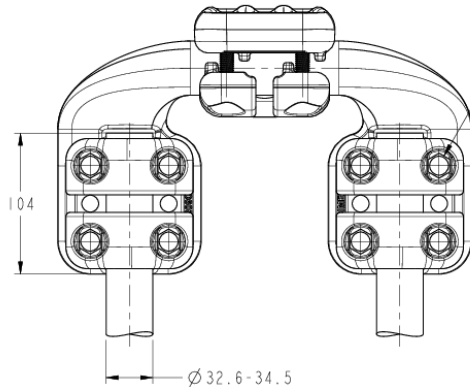


No scale
Sans échelle

M10 Bolts stainless steel A2: 37Nm
Boulons M10 acier inoxydable A2: 37Nm

Bimetallic sleeve Alu/Copper 32x30D1A
Fourrure bi-métallique alu/Cuivre Ø32x30

M10 Bolts stainless steel A2: 37Nm
Boulons M10 acier inoxydable A2: 37Nm



* In case of loosening contact surfaces must be cleaned and greased. Refer to installation instruction.
En cas de desserrage, les surfaces de contact doivent être nettoyées et graissées. Se référer à la notice d'installation.

THIS DRAWING IS A CONTROLLED DOCUMENT.		DWN S. RANJITH 10APR2023	STE TE Connectivity	
		CHK M. PREVOT 10APR2023		
DIMENSIONS: mm		APVD C. GLOMMEAU 10APR2023	NAME ADJUSTABLE CONNECTOR RACCORD AJUSTABLE 5 CTA 82 F M345 E200 SK305	
TOLERANCES UNLESS OTHERWISE SPECIFIED: 0 PLC ± 1 PLC ± 2 PLC ± 3 PLC ± 4 PLC ± ANGLES ±		PRODUCT SPEC 108-69096-001	RESTRICTED TO	
MATERIAL		APPLICATION SPEC	SIZE A 3	CAGE CODE 00779
FINISH		WEIGHT 3.26 kg	DRAWING NO C=2457438	
		CUSTOMER DRAWING	SCALE 1:3	SHEET OF 1 REV A